



Reflectors

Accessories and garments for high visibility, in pre-defined shapes and with lots of decoration possibilities



Contents

Reflectors - High gloss, printing and colour options	page	3
SlapWraps	page	4
SlapShapes®	page	5
Reflective bands	page	5
Hangers	page	6
Super Sticky Stickers	page	7
Reflectors - Cool Magnets / Cardholder	page	8
Bags	page	9
Vests	page	10
Vests pouches	page	11
RFX+Care Active Windbreaker - Kids	page	12
RFX+Care Active Windbreaker - Adult	page	13
Collars / Junior road safety kit	page	14
Tools - SlapWrap	page	15
Tools - SlapShapes	page	15
Tools - Reflective bands	page	16
Tools - Hangers	page	16-18
Tools - Super Sticky sticker	page	19-20
Tools - Cool Magnet / Travel tags / Cardholder	page	21
Hanger and Sticker packaging options	page	22
Quality assurance - Certificates - Tests	page	23

Reflectors

High gloss, printing and colour options

Important printing information

All our high gloss products can be printed on the reflective material or below, as well as on the back using a screen-printing process. You can choose between two different printable materials on the back. Printing below the high gloss gives you the optimal reflective capacity required to meet the EN 13356: 2001 standard. Printing on the reflective film can compromise the reflective efficiency. To meet the requirements of the standard the print area should be less than 10% of the total external surface area.

Phthalates free

Our products are tested and free of phthalates.



Colour options

Reflective base colours



Fluorescent lime yellow



White



Fluorescent lime yellow



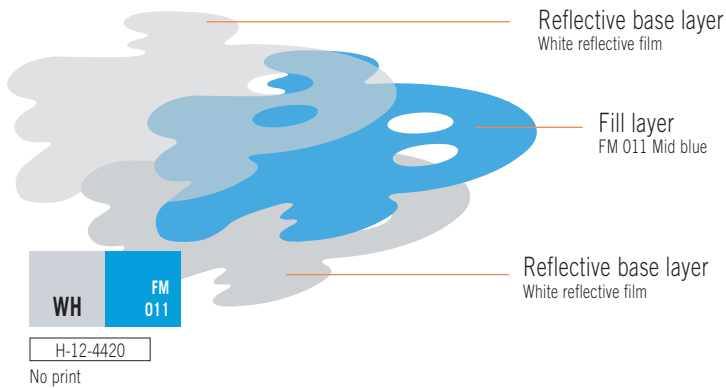
White



Silver (Print on only)

Phthalates Free

Printing method



Examples



PRINTING ON the surface of the film decreases the reflective area and can compromise visibility.



PRINTING BELOW the film gives you a reflective surface with an efficiency factor of 100%.

Fill layer colours



Snow white

Fluorescent lime yellow

Yellow

Fluorescent orange

Fluorescent pink

Fluorescent green

Mid blue

Red

Dark red

Green

Dark green

Dark blue

Black

TPU Fill layer colours



Snow white

Fluorescent lime yellow

Fluorescent orange

Fluorescent pink

Fluorescent green

Aqua blue

Red

SlapWraps

Slap Wrap is an elongated reflector with a specially developed spring welded inside. By a light slap it easily curls around the arm or ankle and you will be seen and safe in the dark.

SlapWraps provide 360° visibility, and is also fun and ideal for carrying promotional messages. Additionally, by using SlapWraps certified to meet the EN 13356: 2001 standard you make traffic safety a feature of your campaign. Our SlapWrap can be made in white or yellow florescent high gloss. Both colours are certified according to the EN13356:2001 standard.

How they work



SlapWraps - Backside

Print on flock

Flock backing options



Flock black Flock blue Flock grey

Other flock colours are available on request



On the back you can print on the flock. One colour only!

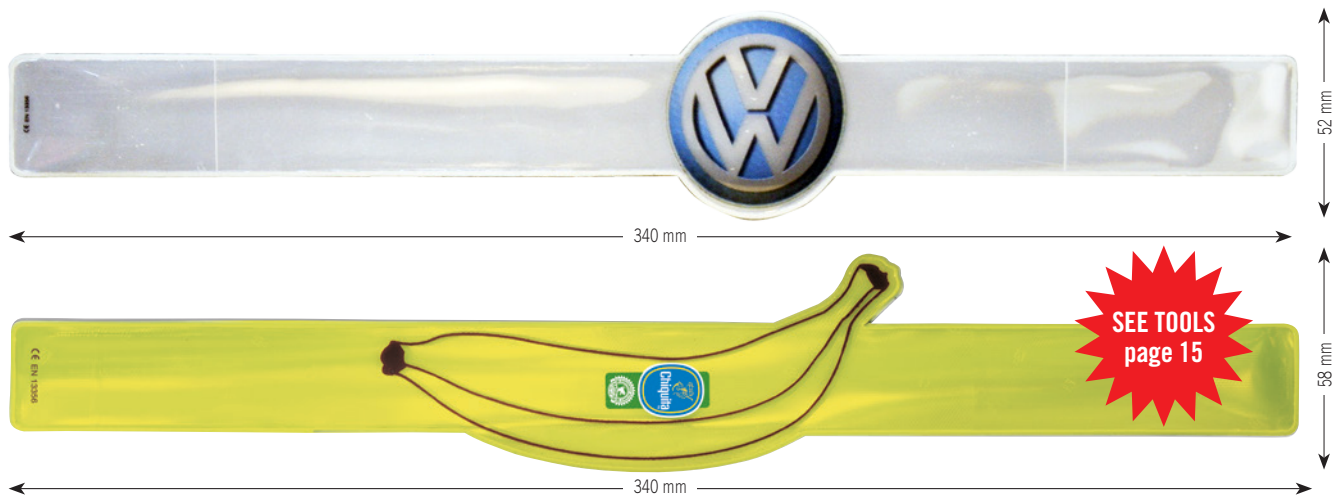


Print on the backside of the Slapwrap on white film.

SlapShapes®

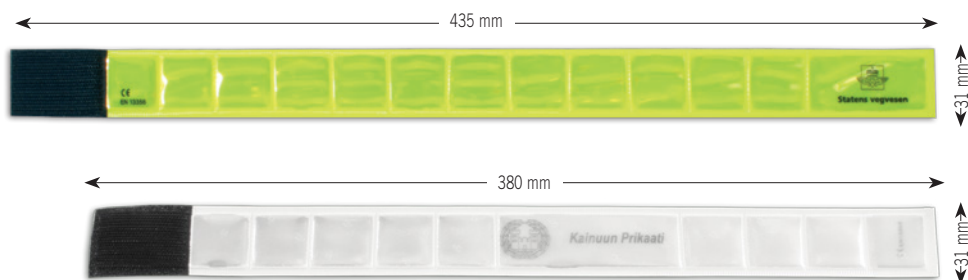
The SlapShape is a SlapWrap with a profile formed using our registered process to give you a distinctive promotional item that takes the SlapWrap concept just one step further. Beside our standard

SlapShape profiles, we are able to make customised profiles to reflect the specific shape requirements of your logos and messages. Just let us know what you want, and we will make your design.



Reflective bands

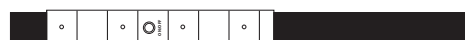
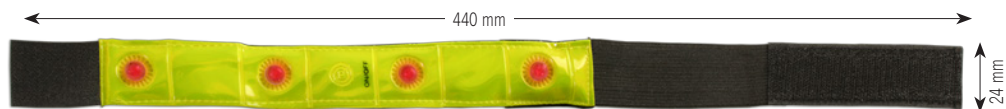
Reflective bands come in many different widths and lengths both for people. It is a welded soft band with Velcro attachment that makes it easy to adjust.



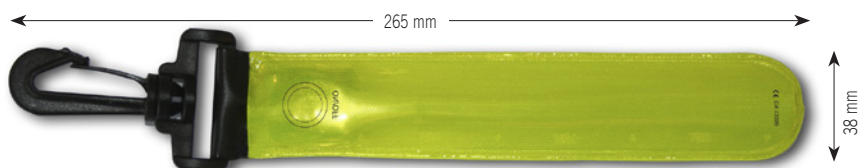
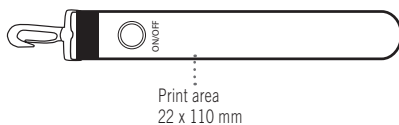
LED- hanger/band

LED accessories

LED band **LB-220** 24 x 220 (440) mm
With Lithium battery (CR2032)



LED hanger **LH-250** 38 x 265 mm
With Lithium battery (CR2032)



Hangers



Be seen be safe.

Hangers are effective and popular safety devices for enhancing the visibility in the darkness and in all weather conditions. This product especially children loves as it can be made in lots of fun shapes.

Note! A hanger must have minimum 15 cm² in order to live up to the CE standard EN13356:2001 for personal safety devices.



SEE TOOLS
page 16-18



You can combine
print on and under!



Super Sticky Stickers



Small product, high value

Everyone benefits from being visible. In fact anyone enjoying outdoor activities is a potential customer for reflective products. Reflective stickers are ideal for use in high penetration campaigns on restricted

budgets. You can either use our standard shapes or design your own: just send us an outline of what you'd like produced and we'll get back to you with a range of options.



Use the super sticky sticker on your bicycle-helmet and school bag.

Reflectors



Cool Magnet

Cool magnets are made in High gloss and inside is welded two super strong magnets so that you can click attach it even on the sleeve of a

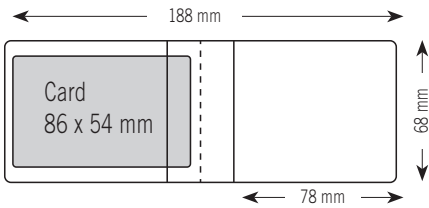
thick coat. Cool magnets have become a very popular reflective device in promotion because both adults and kids love it.



Cool Magnet! Easy to fit on clothing, bicycles, bags etc.

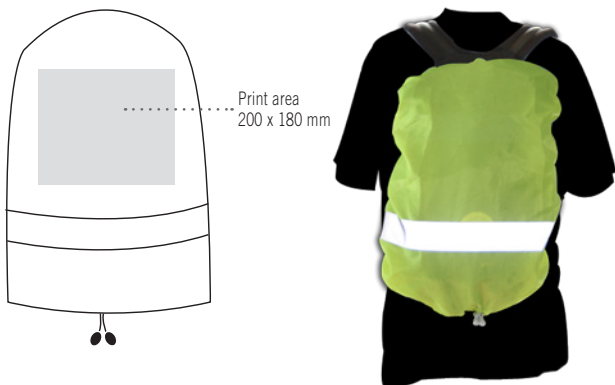
**SEE TOOLS
page 21**

Cardholder



Bags

Bag Cover



Bag Cover (stretch)				
Art. no	100000305	MOQ pcs.	250	Lead time 4 weeks
Weight	50 gr.	Size mm	530 x 650 cm	
Printing	Area mm 200 x 180 m	Colour CMYK	Method Transfer	
Available in	● Yellow			
50 mm Reflective tape. Approved in accordance with EN ISO 20471:2013				

Gym Bag



Gym Bag				
Art. no	100000300	MOQ pcs.	250	Lead time 4 weeks
Weight	80 gr.	Size mm	340 x 440	
Printing	Area mm 170 x 120	Colour CMYK	Method Transfer	
Available in	● Yellow			
50 mm Reflective tape. Approved in accordance with EN ISO 20471:2013				

Shopping bag

RFX™ Shopping Bag

Shopping bag (18 litre capacity)				
		MOQ pcs.	100	Lead time 4 weeks
Weight	175 gr.	Size mm	290 x 195 x 325	
Printing	Area mm 150 x 100	Colour CMYK	Method Transfer	
Available in	● 7012932 ● 7012935 ● 7012933 ● 7012936			
Art no.				
50 mm Reflective tape. Approved in accordance with EN ISO 20471:2013				



Vests

Safety vest - for kids. EN 1150

Playing. The PT2000 safety vest for children between 2 and 10 years old has proven popular in campaigns. Conforming to the European Standard EN 1150: 1999 (the standard applicable for non-professional use), the vest increases visibility and, with its elasticised hook and loop-type fasteners, is easy for kids to use.

It's available in the standard colour of fluorescent yellow although, by special request, we can supply it in orange, pink or green. The PT2000 Safety Vest for adults is ideal not only for enhancing the visibility of pedestrians and cyclists on the street but also, when printed with logos and brands, as give-aways at sporting and other outdoor events.

PT2000 Kids - EN 1150

Size	Art. No.	Measures (W x L)
PT2000 XXXS 2 - 4 years	5500862012	39 x 43 cm
PT2000 XXS 5 - 6 years	5500862112	45 x 48 cm
PT2000 XS 7 - 10 years	5500862212	48 x 50 cm



For sport and leisure - EN 1150

Size	Art. No.	Measures (W x L)
PT2000 S	5500862312	51 x 51 cm
PT2000 M	5500862412	53 x 55 cm
PT2000 L	5500862512	57 x 59 cm
PT2000 XL	5500862612	60 x 64 cm
PT2000 XXL	5500862712	66 x 67,5 cm



HW1 one size - EN 1150

Size	Art. No.	Measures (W x L)
HW1 one size	5500862012	50 x 48 cm





HW2 one size - EN ISO 20471:2013

size	Art. No.	Measures (W x L)
HW2 one size (XL)	5500862012	64 x 132 cm
Colour	● Flour yellow ● Flour orange	



Vest pouches



Textile pouch

Art. no	7012315	MOQ pcs.	100	Lead time	4 weeks
Weight	10 gr.	Size mm	160 x 190		
Printing	Area mm 100 x 80 mm	Colour	CMYK	Method	Transfer
Available in	● Flour yellow				



Print on the textile only
or see through logo!

Zipper bag

Art. no	7012314	MOQ pcs.	100	Lead time	4 weeks
Weight	12 gr.	Size mm	240 x 150		
Printing	Area mm 110 x 70 mm	Colour	CMYK	Method	Transfer
Available in	● Transperant/Yellow				

RFX+Care Active Windbreaker



Be comfortable and safe in our RFX Active Windbreaker

Comfortable safety for those who cultivate outdoor activities.

RFX+care Active windbreaker benefits:

- Reflective bands around the waist and around the right and left arm.
- Breathable fabric with excellent wind resistance
- Pockets on front, one on the right overarm and over the lower back
- Water repellent

The excellent wind resistance is achieved by a tightly woven construction. This prevents wind from penetrating the fabric whilst maintaining high standards of breathability. Reflectivity is a key safety feature that helps keep you seen and safe whilst sporting outdoors, whatever the weather or the light conditions. A durable water repellent treatment is added to the fabric to prevent the product from becoming saturated with water. Instead water beads on the outer surface of the fabric and rolls off, increasing wearer comfort

Kids (4-10 years)



Kids Windbreaker - Yellow

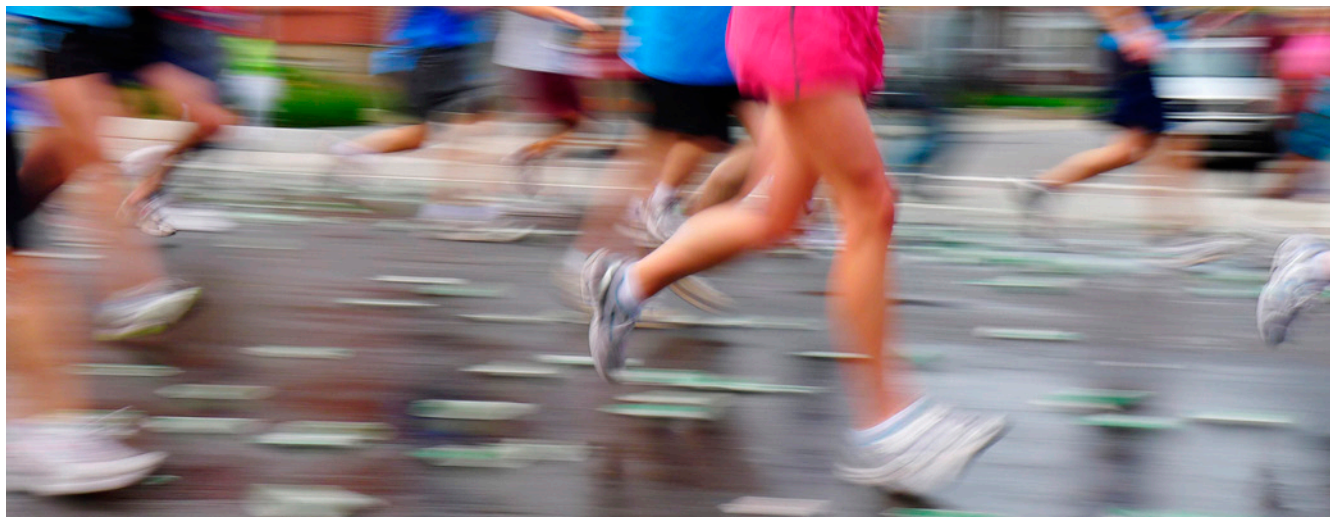
Size	Art. No.
4-6 years	200-655737
7-8 years	200-655738
9-10 years	200-655739

Kids Windbreaker - Green

Size	Art. No.
4-6 years	200-655747
7-8 years	200-655748
9-10 years	200-655749

Kids Windbreaker - Pink

Size	Art. No.
4-6 years	200-655757
7-8 years	200-655758
9-10 years	200-655759



Windbreaker



Male

(M-L-XL size)



50 mm reflective tape



Windbreaker Male - Green

Size	Art. No.
Medium	200-655771
Large	200-655772
X-large	200-655773



Windbreaker Male - Yellow

Size	Art. No.
Medium	200-655768
Large	200-655769
X-large	200-655770

Female

(M-L-XL size)



Windbreaker Female - Yellow

Size	Art. No.
Medium	200-655762
Large	200-655763
X-large	200-655764



Windbreaker Female - Pink

Size	Art. No.
Medium	200-655765
Large	200-655766
X-large	200-655767

Sports vest WR - Unisex

EN 1150

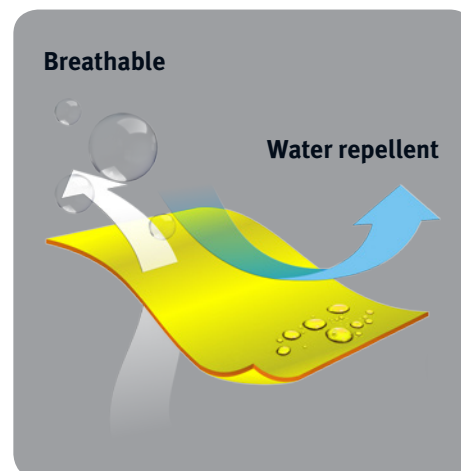


Sports Vest WR Unisex - Yellow

Size	Art. No.
Small	200-552048
Medium	200-552049
Large	200-552050
X-large	200-552051

Breathable and water repellent

RFX-Active is very suitable in the dark for outdoor activities. 100 % polyester. 50 mm reflective tape.



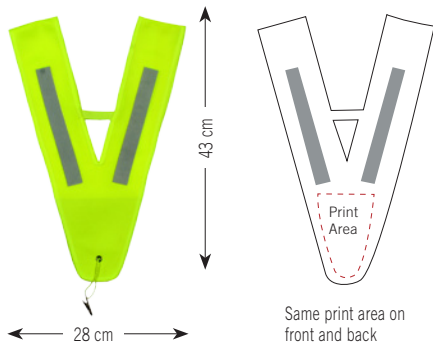
Collars

Collars

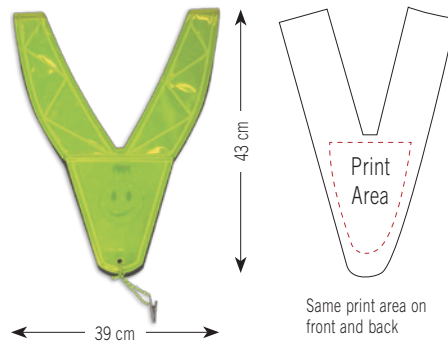
When cycling around the RFX™ collar is a reflective safety product with a large printing area for promotional messages that's available in either high visibility fabric or reflective high gloss. Because it's smaller and handier than a safety vest, the collar is ideal for kids. You can choose between a full reflective collar and a more economical version where only the front triangular flap is reflective. Both versions have a clip fastening for securing the collars to clothing and the high gloss versions have pre-determined shoulder breaks for additional safety.



Fabric collar. (One size)



Full collar. (Junior/Senior size)



Collars

Article	Art. No.	Size (Length)
Triangle collar	555015200	Junior/Senior size
Fabric collar	10000020	One size
Full collar	501012212	Junior/Senior size

Reflective collection

- Junior road safety kit



Road safety kit

- 1 Children safety vest En1150
- 1 Slapwrap EN13365
- 2 Reflective hangers EN13365
- 1 Reflective sticker EN13365

Art. no. 500-74489



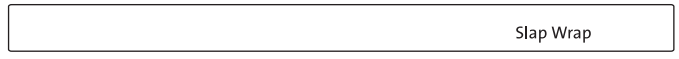
SlapWraps

Explaining our product codes

SW - XX - XXXX		
1	2	3

1 = SlapWrap
2 = Price code
3 = Tool number

SlapWraps



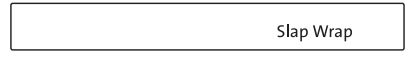
Maxi SlapWrap **MXSW-7-4400** 30 x 440 mm



SlapWrap **SW-7-3100** 30 x 310 mm



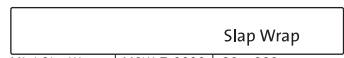
XXL SlapWrap **XLSW-05-4100** 43 x 410 mm



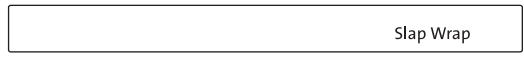
SlapWrap **SW-7-2600** 30 x 260 mm



SlapWrap **MXSW-7-3800** 30 x 380 mm



Mini SlapWrap **MSW-7-2200** 30 x 220 mm



SlapWrap **SW-7-3400** 30 x 340 mm

SlapShapes

SlapShapes® SS-4

 SS - 04 - 3403 340 x 45 mm	 SS - 04 - 3405 340 x 52 mm	 SS - 04 - 2565 340 x 52 mm	 SS - 04 - 3402 340 x 49 mm
 SS - 04 - 2672 340 x 51 mm	 SS - 04 - 2796 340 x 58 mm	 SS - 04 - 2800 340 x 70 mm	 SS - 04 - 2915 340 x 50 mm
 SS - 04 - 3404 340 x 50 mm	 SS - 04 - 3196 340 x 50 mm	 SS - 04 - 2777 325 x 53 mm	

SlapShapes® SS-5

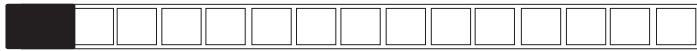
 SS - 05 - 2703 340 x 40 mm	 SS - 05 - 2573 340 x 50 mm	 SS - 05 - 3319 340 x 44 mm
--------------------------------	--------------------------------	--------------------------------

Mini SlapShapes® MSS-4

 MSS - 04 - 2702 225 x 52 mm	 MSS - 04 - 2554 220 x 52 mm
---------------------------------	---------------------------------

Reflective bands

Reflective band

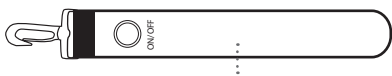


Jogging band **JB-380** 31 x 380 mm



Jogging band **JB-435** 31 x 435 mm

LED-hanger/band



LED hanger **LH-250** 38 x 265 mm
With Lithium battery (CR2032)

Print area
22 x 110 mm

Hangers

Explaining our product codes

H - XX - XXXX
1 2 3

- 1 = Hanger
- 2 = Price code
- 3 = Tool number

Hanger reflector H-8



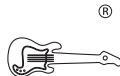
H - 08 - 2667
80 x 71 mm



H - 08 - 6762
100 x 55 mm



H - 08 - 7876
105 x 51 mm



H - 08 - 2801
44 x 129mm
Embossed



H - 08 - 2803
55 x 80 mm
Embossed



H - 08 - 2829
45 x 101 mm



H - 08 - 3055
54 x 88 mm



H - 08 - 3038
44 x 114 mm

Hanger reflector H-9



H - 09 - 3466
70 x 70 mm



H - 09 - 2901
67 x 67 mm



H - 09 - 3467
70 x 70 mm



H - 09 - 2741
67 x 67 mm



H - 09 - 2516
87 x 55 mm



H - 09 - 2891
60 x 60 mm



H - 09 - 2950
55 x 55 mm



H - 09 - 3162
71 x 71 mm



H - 09 - 2981
79 x 72 mm



H - 09 - 4422
71 x 70 mm



H - 09 - 2539
104 x 48 mm



H - 09 - 2775
70 x 70 mm



H - 09 - 2972
76 x 79 mm



H - 09 - 2745
88 x 79 mm



H - 09 - 2746
65 x 100 mm



H - 09 - 2805
71 x 66 mm
Embossed



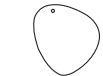
H - 09 - 2806
79 x 54 mm
Embossed



H - 09 - 2913
63 x 67 mm
Embossed



H - 09 - 3289
86 x 72 mm



H - 09 - 2679
65 x 70 mm



H - 09 - 3262
66 x 68 mm



H - 09 - 3298
75 x 71 mm



H - 09 - 2742
92 x 49 mm



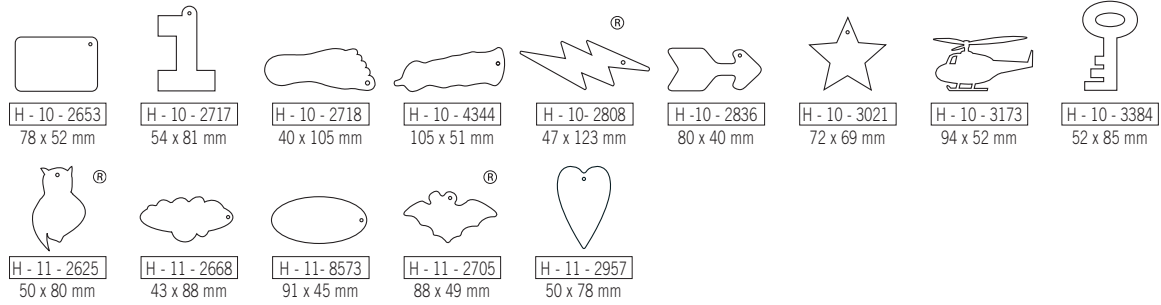
H - 09 - 3231
89 x 66 mm



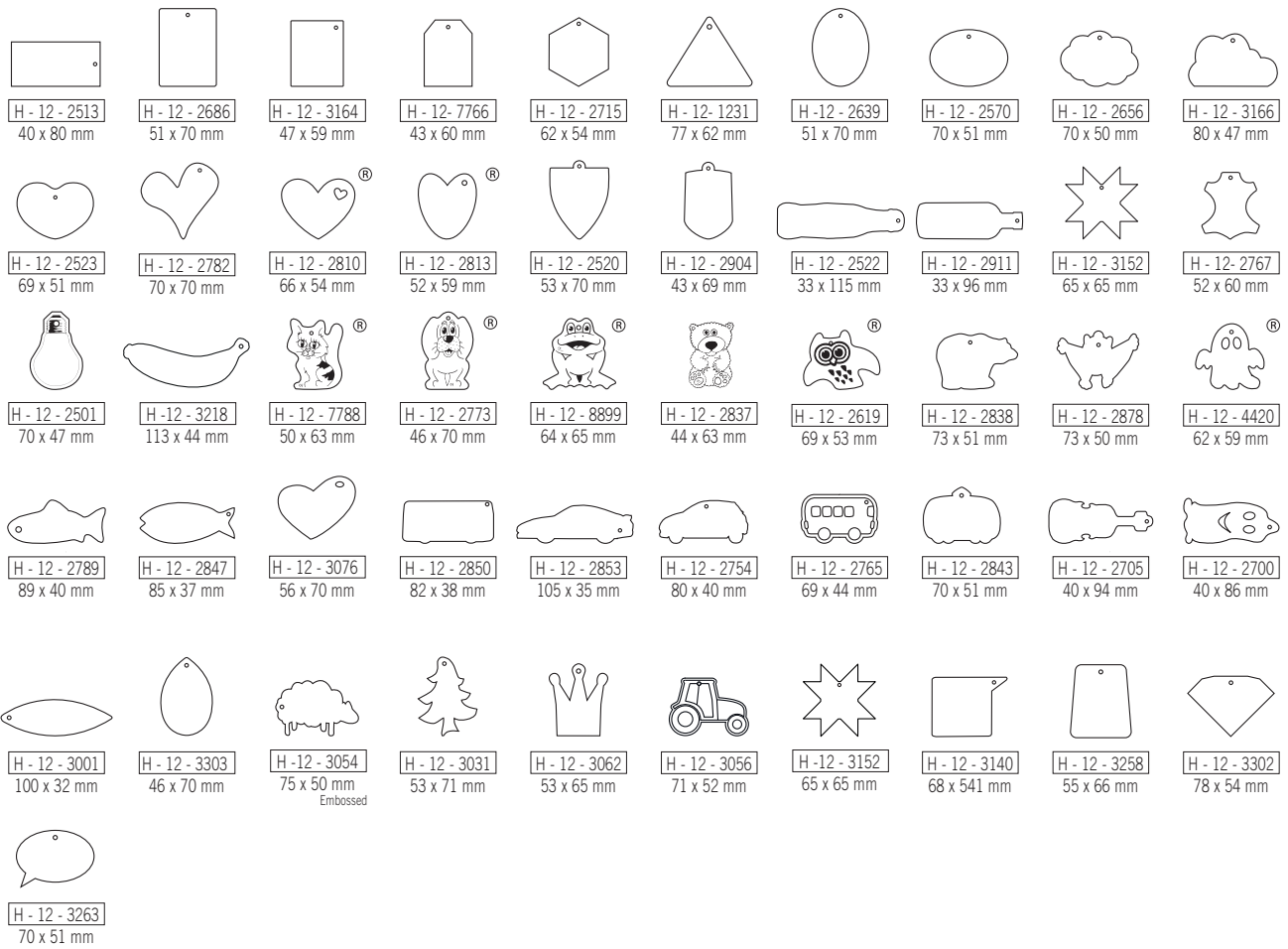
H - 09 - 2914
67 x 121 mm

Hangers

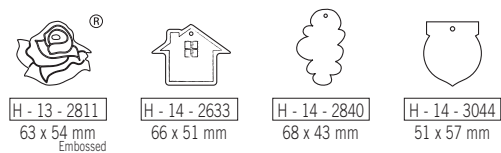
Hanger reflector H-10-11



Hanger reflector H-12


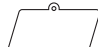



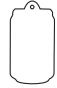





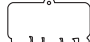





Hanger reflector H-13-14


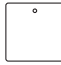
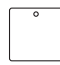

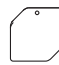

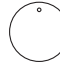



















Hangers



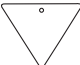




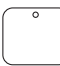

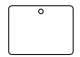

Hanger reflector H-15

 H - 15 - 2000 63 x 39 mm	 H - 15 - 3167 77 x 42 mm	 H - 15 - 2612 60 x 41 mm	 H - 15 - 2255 68 x 48 mm	 H - 15 - 2529 40 x 70 mm	 H - 15 - 2530 37 x 70 mm	 H - 15 - 3136 85 x 41 mm	 H - 15 - 2716 45 x 69 mm	 H - 15 - 2575 30 x 80 mm	 H - 15 - 2971 76 x 33 mm
 H - 15 - 3366 39 x 67 mm	 H - 15 - 2872 70 x 40 mm	 H - 15 - 2734 61 x 44 mm	 H - 15 - 2946 82 x 40 mm	 H - 15 - 2508 42 x 67 mm					

Hanger reflector H-16

 H - 16 - 6655 49 x 49 mm	 H - 16 - 2644 49 x 49 mm	 H - 16 - 2654 45 x 45 mm	 H - 16 - 2830 48 x 47 mm	 H - 16 - 2884 45 x 45 mm	 H - 16 - 3170 45 x 53 mm	 H - 16 - 2544 50 x 50 mm	 H - 16 - 2963 55 x 55 mm	 H - 16 - 1212 51 x 58 mm	 H - 16 - 2704 50 x 49 mm
 H - 16 - 2533 45 x 52 mm	 H - 16 - 2614 49 x 52 mm	 H - 16 - 4422 59 x 50 mm	 H - 16 - 3204 50 x 52 mm	 H - 16 - 2506 54 x 51 mm	 H - 16 - 2532 52 x 49 mm	 H - 16 - 3134 79 x 37 mm	 H - 16 - 2833 51 x 50 mm	 H - 16 - 3245 54 x 53 mm	 H - 16 - 3087 47 x 47 mm
 H - 16 - 2996 51 x 55 mm	 H - 16 - 3007 52 x 45 mm	 H - 16 - 3011 48 x 54 mm	 H - 16 - 3057 50 x 53 mm						

Hanger reflector H-18-24

 H - 18 - 3104 37 x 60 mm	 H - 18 - 2731 60 x 52 mm	 H - 18 - 2883 60 x 49 mm	 H - 18 - 2581 38 x 69 mm	 H - 18 - 2753 69 x 33 mm	 H - 18 - 2680 33 x 70 mm	 H - 18 - 2983 75 x 341 mm
 H - 20 - 2512 50 x 43 mm	 H - 20 - 2645 43 x 50 mm	 H - 20 - 2812 49 x 37 mm	 H - 24 - 2594 18 x 85 mm			

U = Only EN13356:2001 approved with print under

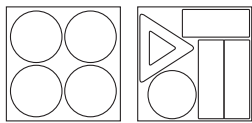
Super Sticky sticker

Explaining our product codes

S	- XX -	XXXX
1	2	3

1 = Sticker
2 = Price code
3 = Tool number

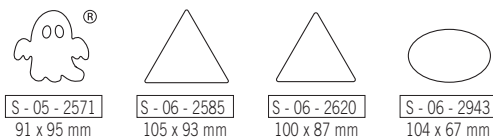
Sticker referctor S-4



S - 04 - 2759
104 x 104 mm

S - 04 - 2927
104 x 104 mm

Sticker referctor S-5-6



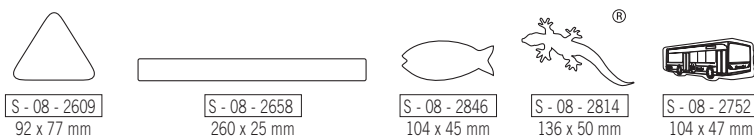
S - 05 - 2571
91 x 95 mm

S - 06 - 2585
105 x 93 mm

S - 06 - 2620
100 x 87 mm

S - 06 - 2943
104 x 67 mm

Sticker referctor S-8



S - 08 - 2609
92 x 77 mm

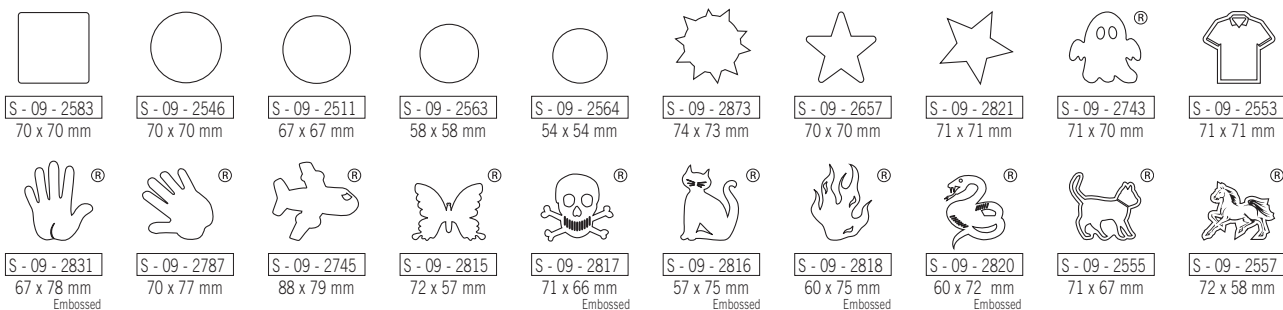
S - 08 - 2658
260 x 25 mm

S - 08 - 2846
104 x 45 mm

S - 08 - 2814
136 x 50 mm

S - 08 - 2752
104 x 47 mm

Sticker referctor S-9



S - 09 - 2583
70 x 70 mm

S - 09 - 2546
70 x 70 mm

S - 09 - 2511
67 x 67 mm

S - 09 - 2563
58 x 58 mm

S - 09 - 2564
54 x 54 mm

S - 09 - 2873
74 x 73 mm

S - 09 - 2657
70 x 70 mm

S - 09 - 2821
71 x 71 mm

S - 09 - 2743
71 x 70 mm

S - 09 - 2553
71 x 71 mm

S - 09 - 2831
67 x 78 mm
Embossed

S - 09 - 2787
70 x 77 mm

S - 09 - 2745
88 x 79 mm

S - 09 - 2815
72 x 57 mm

S - 09 - 2817
71 x 66 mm
Embossed

S - 09 - 2816
57 x 75 mm
Embossed

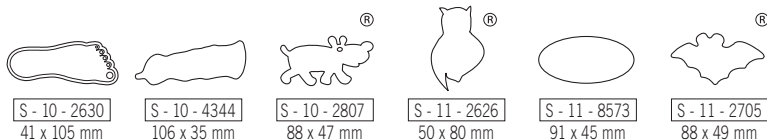
S - 09 - 2818
60 x 75 mm
Embossed

S - 09 - 2820
60 x 72 mm
Embossed

S - 09 - 2555
71 x 67 mm

S - 09 - 2557
72 x 58 mm

Sticker referctor S-10-11



S - 10 - 2630
41 x 105 mm

S - 10 - 4344
106 x 35 mm

S - 10 - 2807
88 x 47 mm

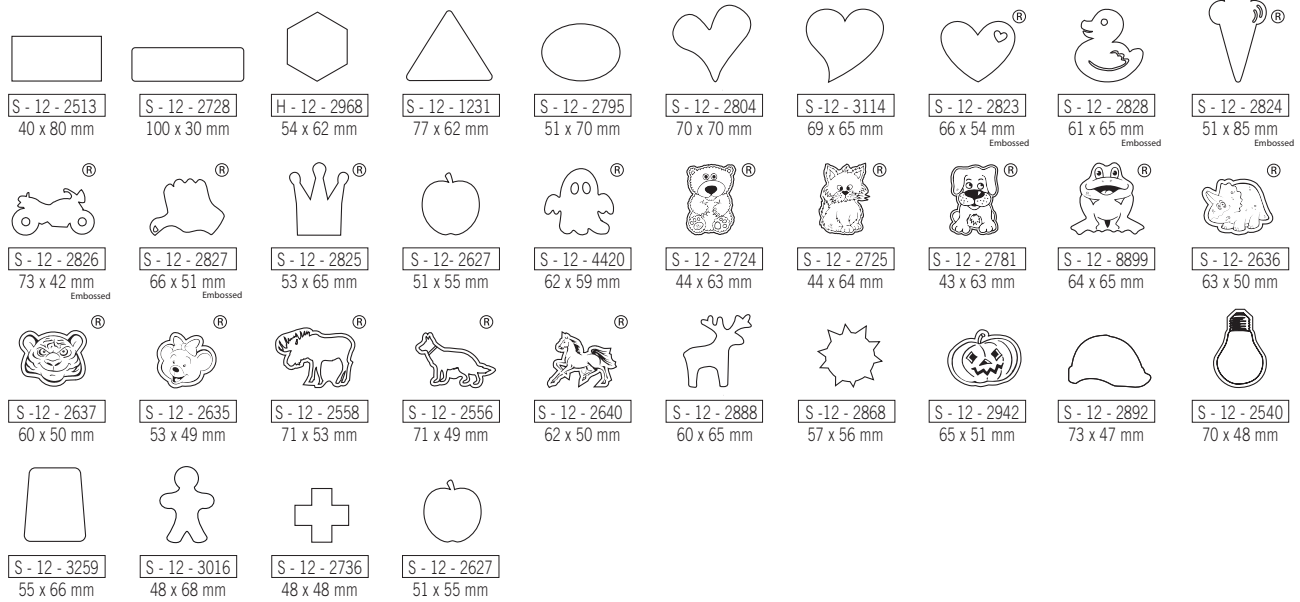
S - 11 - 2626
50 x 80 mm

S - 11 - 8573
91 x 45 mm

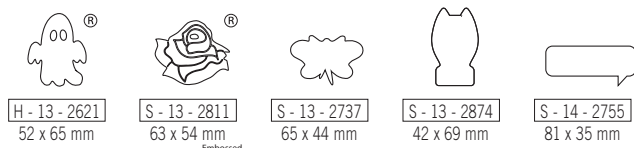
S - 11 - 2705
88 x 49 mm

Super Sticky sticker

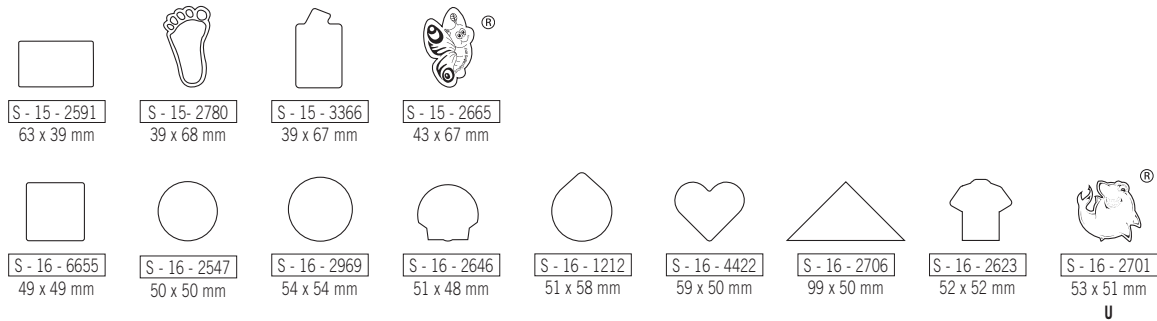
Sticker refelctor S-12



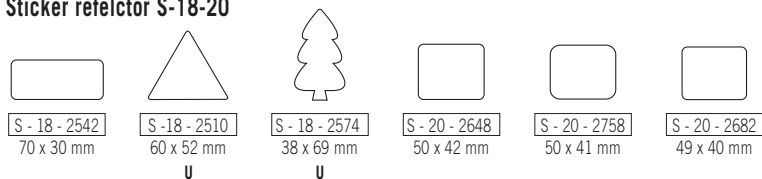
Sticker refelctor S-13-14



Sticker refelctor S-15-16

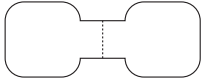


Sticker refelctor S-18-20

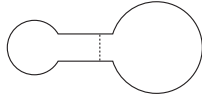


Reflectors

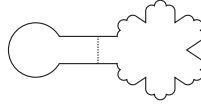
Reflective magnet M-10



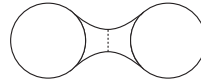
M - 10 - 3060
108 x 42 mm



M - 10 - 3106
108 x 51 mm



M - 10 - 3184
108 x 55 mm



M - 10 - 3329 108 x 41 mm

Travel Tags



H - 12 - 2523
69 x 51 mm

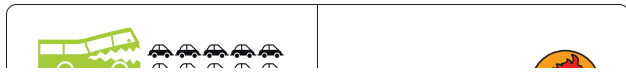
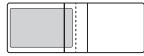


H - 12 - 2782
70 x 70 mm

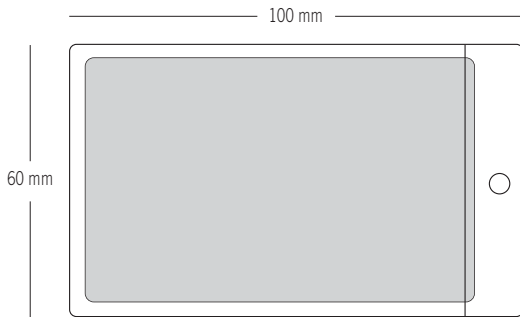
Cardholder

TOOL: 747. C-03-3203

In-side
Clear pvc
White pvc



12 pcs.



Hanger and Sticker packaging options

Our standard hanger attachment is a white string and safety pin supplied loose in a polyethylene bag. Ask for alternative string colours. Another popular attachment option is a chrome-plated ball chain, also supplied loose in the bag with the hanger for assembling. We have added a hook to the hanger attachment collection so now hangers can be offered as a key ring holder.

Add a personalized message on the packaging. All items are supplied in re-sealable polyethylene bags. With orders exceeding 100.000 units we can print a personalized message on the bag / packaging. On orders exceeding 1000 units you can add a small printed label that can be inserted into the bag, please ask for price.



Polyethylene bag with hanger, string and safety pin 5000001



Polyethylene bag with hanger, hook and keyring 5000032
Polyethylene bag with hanger, hook and ball chain 5000018



Polyethylene bag with hanger and ball chain 5000002



Polyethylene bag sticker packaging 9001020

Quality assurance - Certificates - Tests

Below you see some of our certificates and test reports. More are available on request.

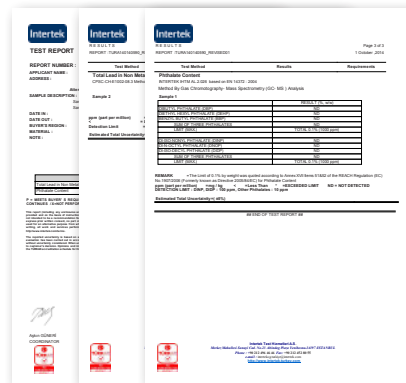
Reflectors

EN 13356
Personal safety



Phthalates free

Test



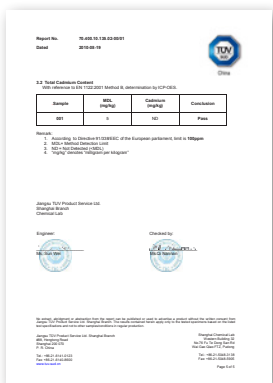
Vest

TÜV EN 1150
non professional
TÜV EN 20-471
professionel



REACH & BSCI

We follow and test in accordance with the candidate list of REACH. We are approved by BSCI.



CERTIFICATIONS

All the factory products comply with and even exceed current international CE standards and regulations.

The company applies the Environment Management System ISO14001:2004 in respect of production and sales of first aid kits and reflective vests.

The company works closely with TÜV SÜD to check, test and certify all its medical device products, and with TÜV Rheinland for its reflective products in accordance with standard EN20471, EN1150 and ANSI. The company has undertaken tests in Intertek, SGS and other qualified testing laboratories to ensure that the raw material and finished products meet environmental

standards and are safe and functional. Medical device products, first aid kits and plasters are CE certified by TÜV SÜD in Europe, registered in FDA USA and China, as well as TGA Australia.

All listed products can be freely sold / distributed in countries that adhere to these standards.



Reflective products are tested and CE certified by TÜV and SP Technical Research institute of Sweden in accordance with the European EN13356:2001 standard for personal safety devices. European manufactured vests are CE certified

by TÜV in accordance with EN1150 standard for non-professional use as well as EN ISO 20471:2013



DIGITAL ARTWORK INFO

All artwork must be received digitally in 300 dpi high quality. Artwork should preferably be Illustrator files .eps. or .ai, with outlined text including photos, although we are able to work with .pdf, tiff and .jpg files.

Production process has limitations regarding certain timesteps. We will follow – as closely as possible – the timestep requested, but reserve the right to make any necessary changes, subject to the client's faxed approval.

Heat Transfer: When printing logos using heat transfers gives you the best result. This method is used on all our RFX-Active, Hi-Vis garments and first aid soft bags.

Silkscreen printing: When producing simple logo and large quantities silkscreen printing can also be used on our RFX-Active, Hi-Vis garments.

We use silk-screening on our high-gloss reflective products when printing on the surface (explanation on page 3)

Digital printing: we use digital printing on our hi-gloss reflective products when printing below the surface (see example on page 3).

Templates: To make the design process easier for you we have templates available for all our products.

Distributor